


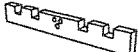

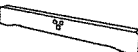

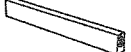

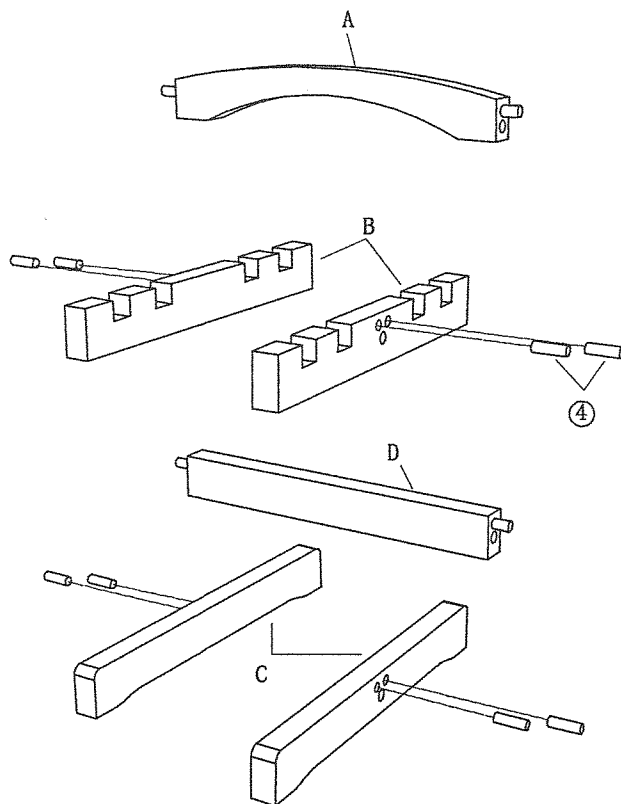
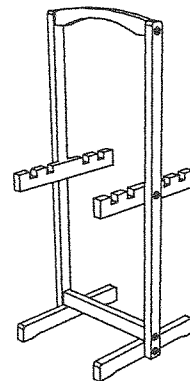


ASSEMBLY INSTRUCTIONS

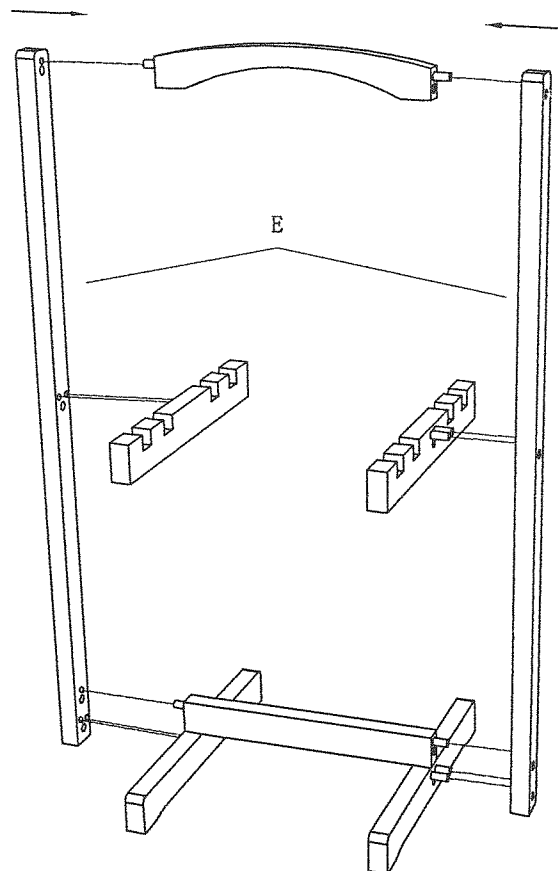
TV Tray Stand(#IMP 86 series)

THANK YOU FOR PURCHASING THIS QUALITY PRODUCT. BE SURE TO CHECK ALL PACKING MATERIAL CAREFULLY FOR SMALL PARTS. WHICH MAY HAVE COME LOOSE INSIDE THE CARTON DURING SHIPMENT. IDENTIFY AND COUNT ALL PARTS AND COMPARE WITH THE HARDWARE LIST AS BELOW. DO NOT TIGHTEN SCREWS UNTIL COMPLETELY ASSEMBLED.

Hardware	NO.	Picture	QTY	Parts list	NO.	Picture	QTY	
	①		1		Parts list	A		1
	②		8			B		2
	③		8			C		2
	④		8			D		1
			E			2		



STEP:1



STEP:2