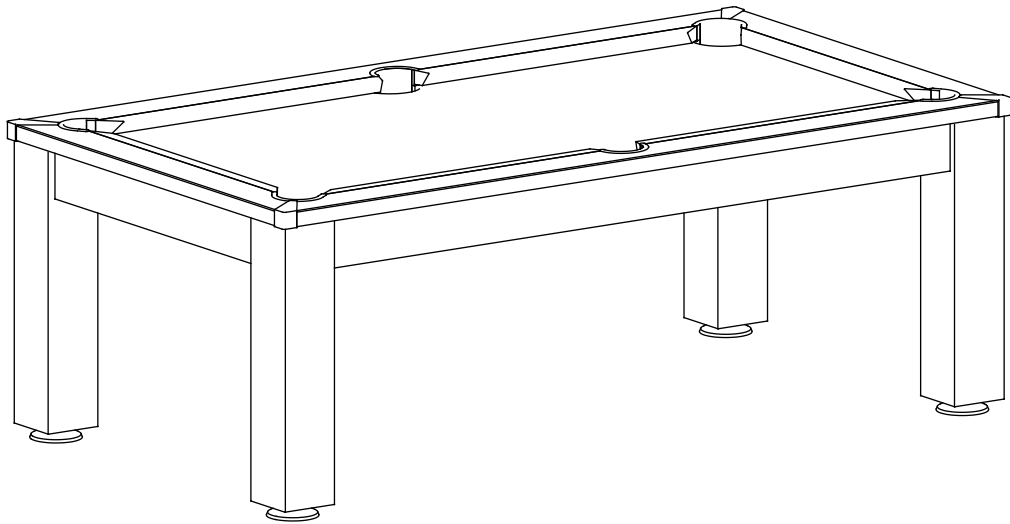


IM-29-731 Manual



WARNING!

Please follow these instructions when the table is not in use.

This table is built and designed for outdoor use.

All components are weather resistant.


However, to prolong the life of this product, when stored outside and not in use, always cover with the all weather cover provided.

Store the benches under the table out of direct sun light.

This will protect the product from rain, dust and sun light.

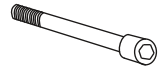
All accessories should be stored inside to maximise the life span of the accessories.

1 M8 Table Bolts




x16

2 M8 Top Frame Bolts




x12

3 M8 Washers




x28

4 M8 Allen Key



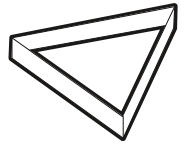
x1

5 M6 Allen Key




x1

6 Triangle



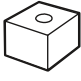
x1

7 Cues




x2

8 Chalk



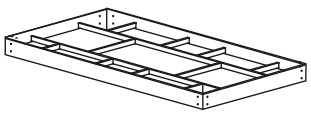
x2

9 Table Leg Levellers




x4

10 Main Frame



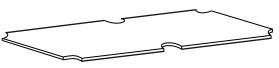
x1

11 Top Frame



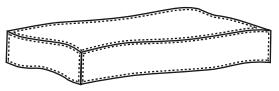
x1

12 Slate



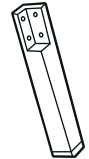
x1

13 Table Cover




x1

14 Leg




x4

15 Bucket Pockets



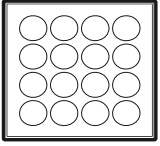
x6

16 Table Brush



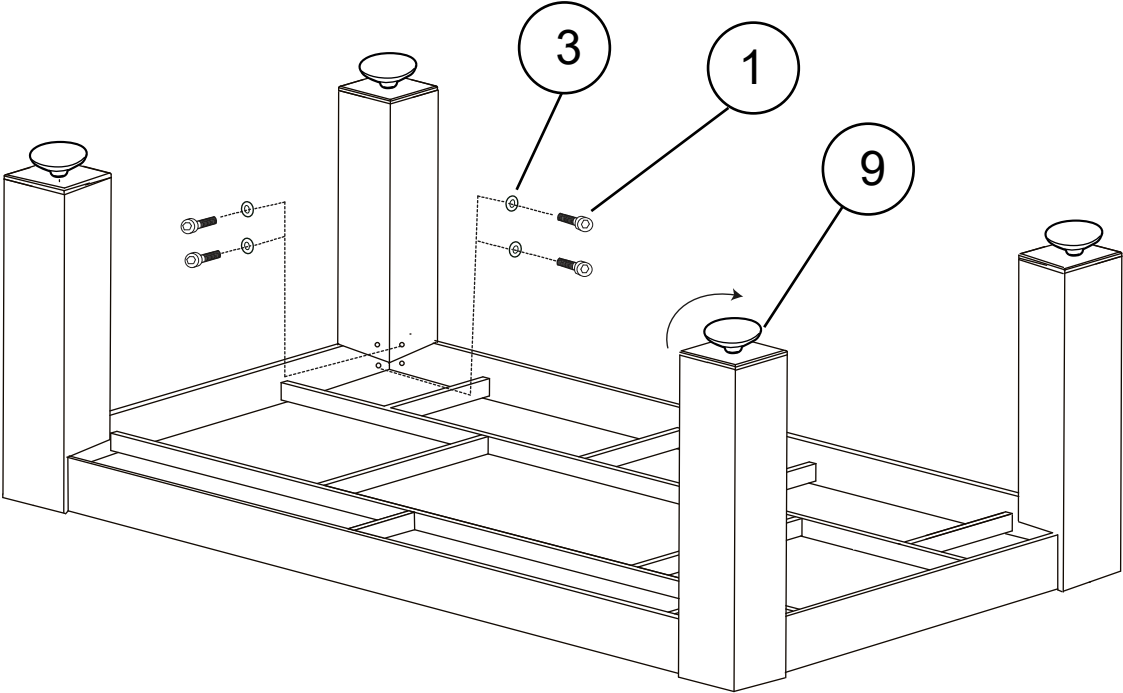
x1

17 Balls

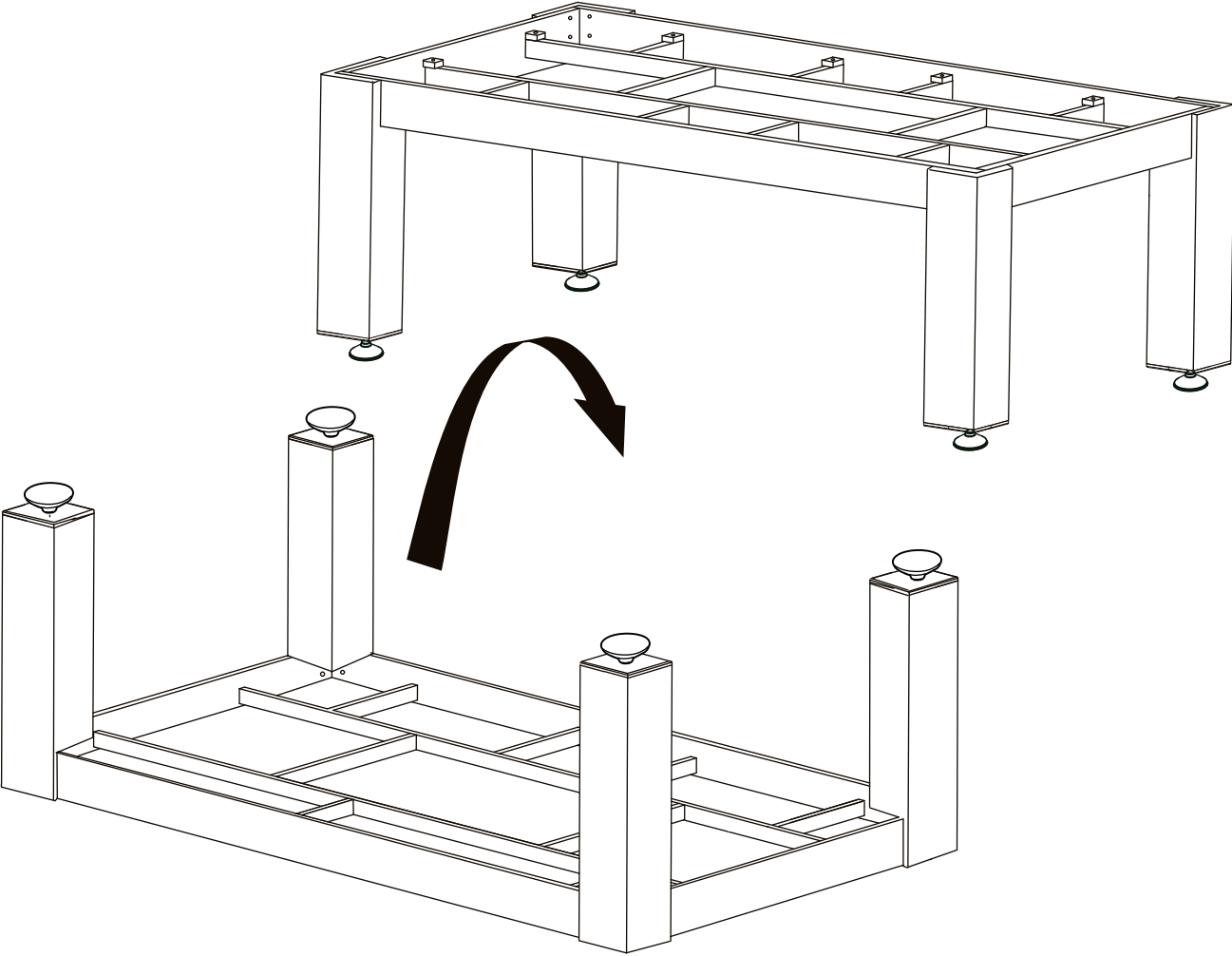


x1

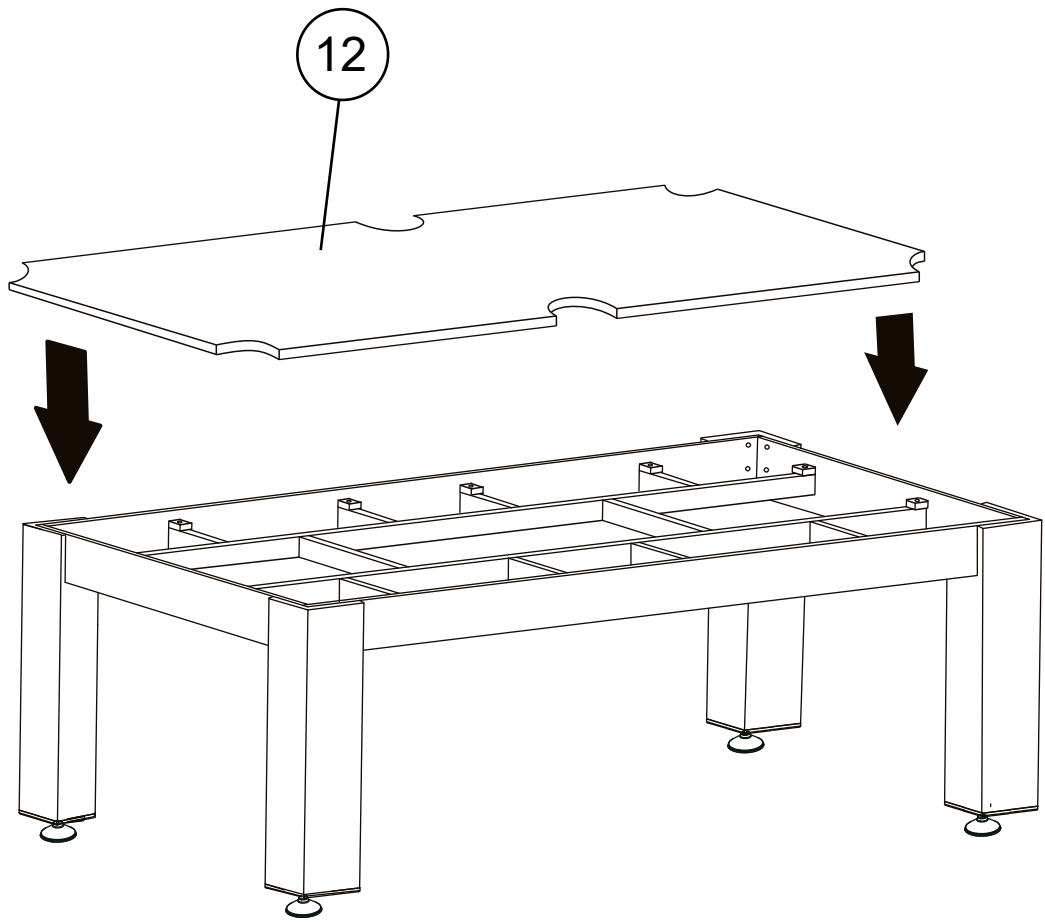
STEP 1



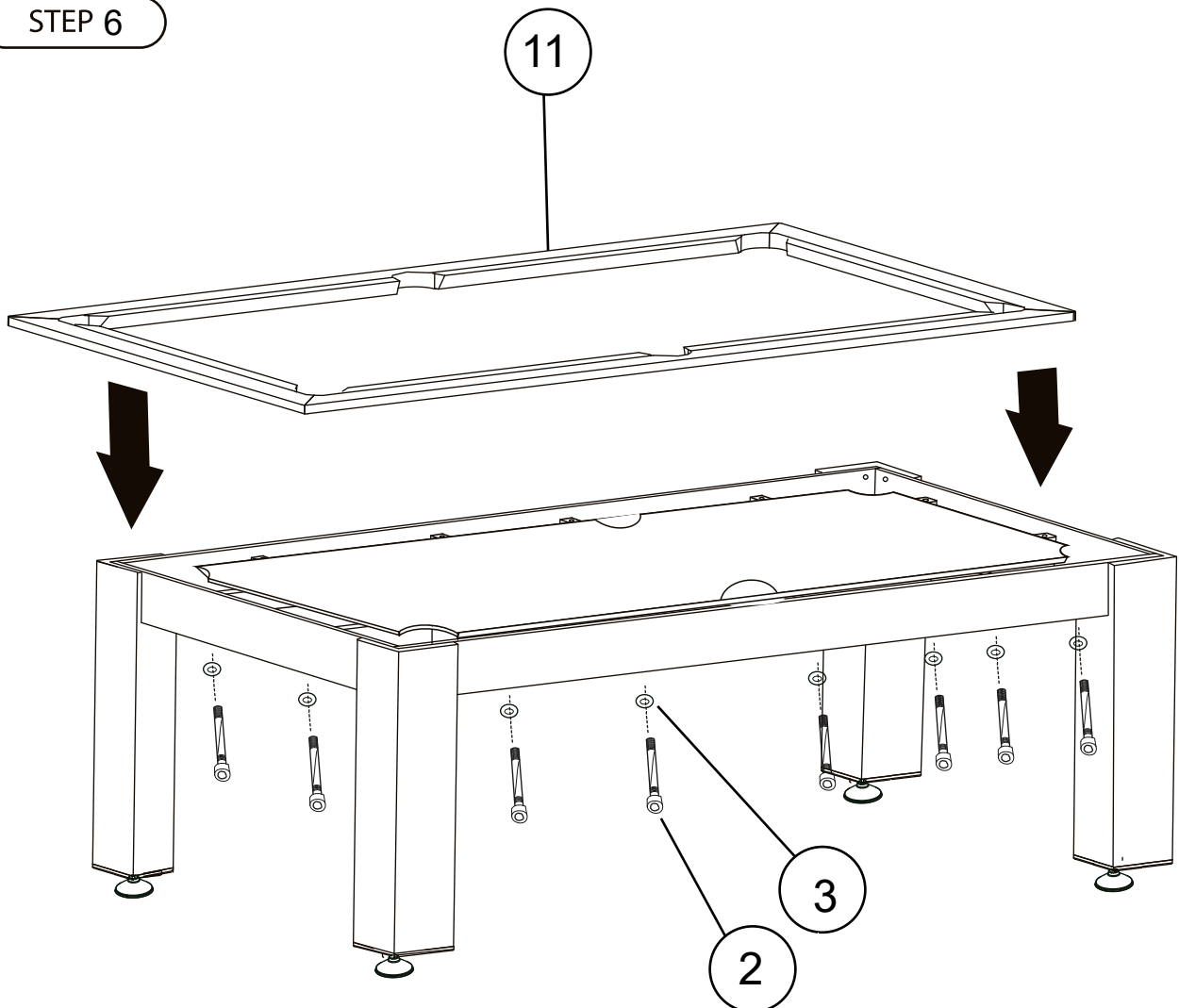
STEP 2



STEP 3



STEP 6



STEP 7

