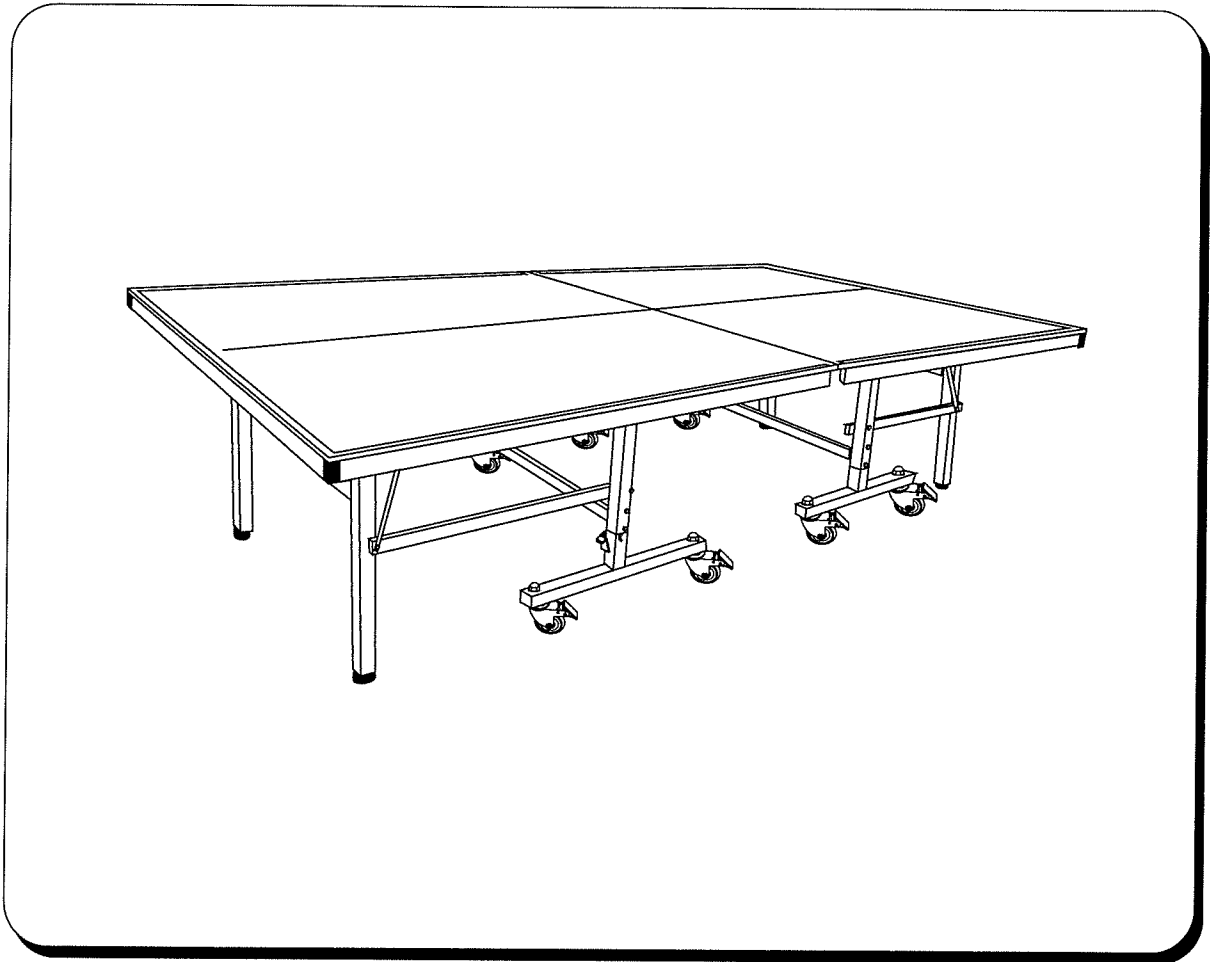
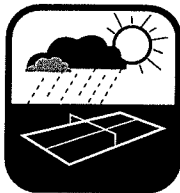


# ASSEMBLY INSTRUCTION

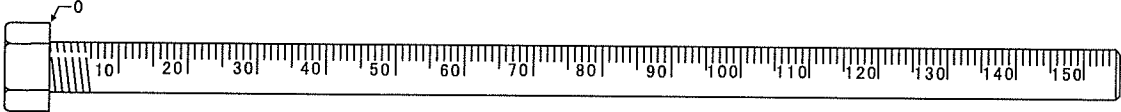
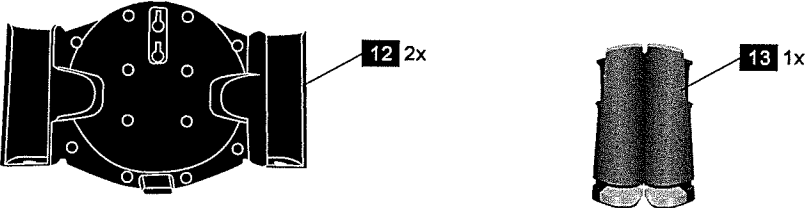
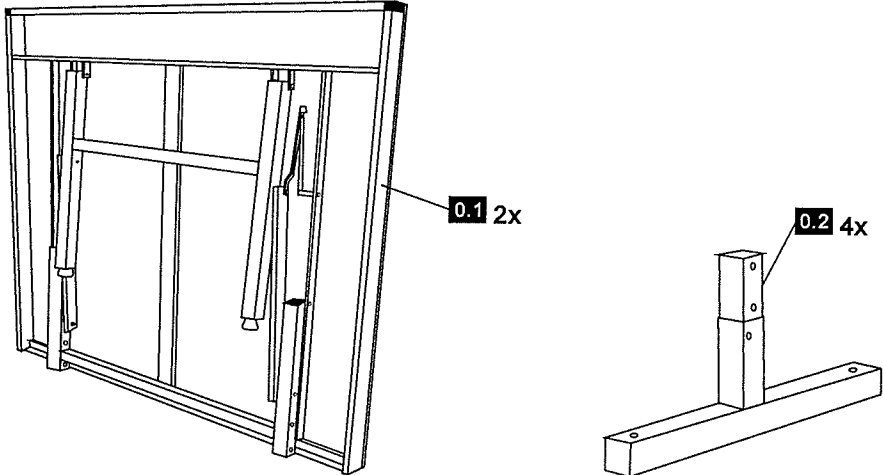



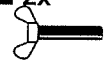
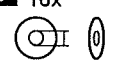
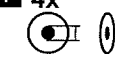
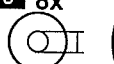



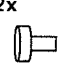
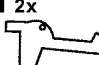

**21-365**



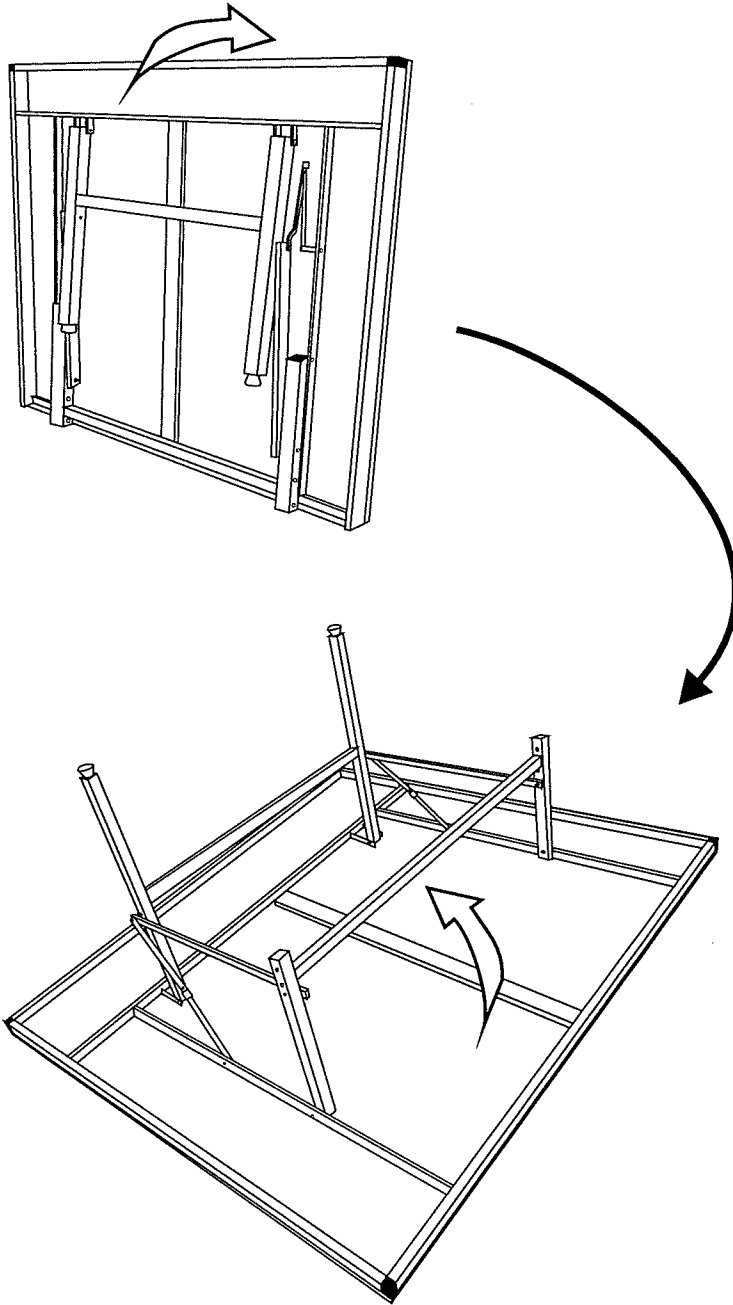
**OUTDOOR**

# PARTS LIST

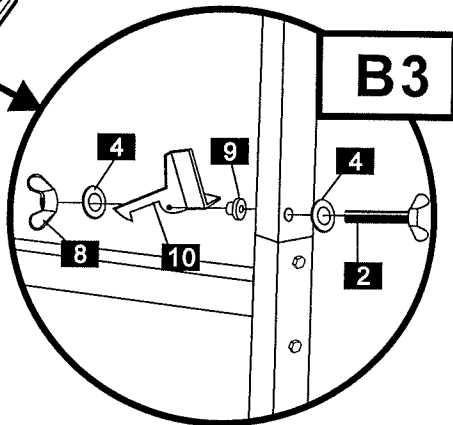
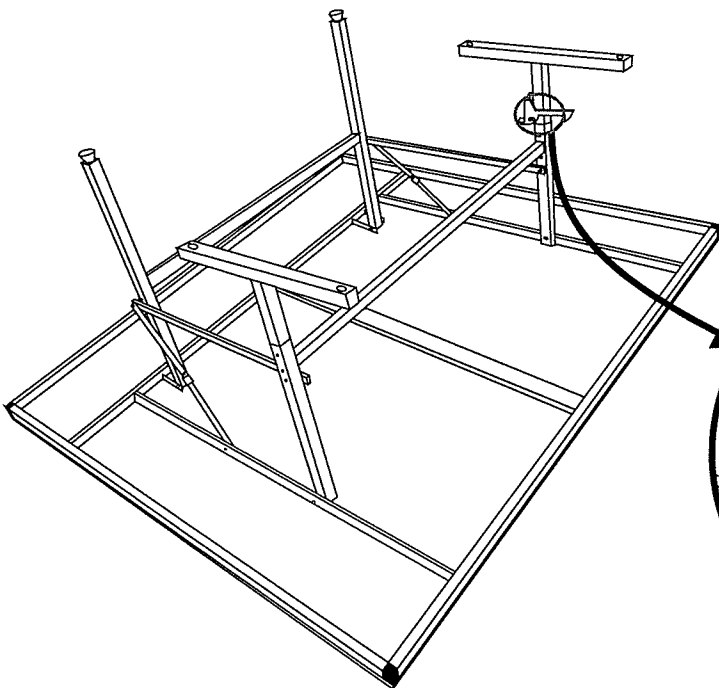
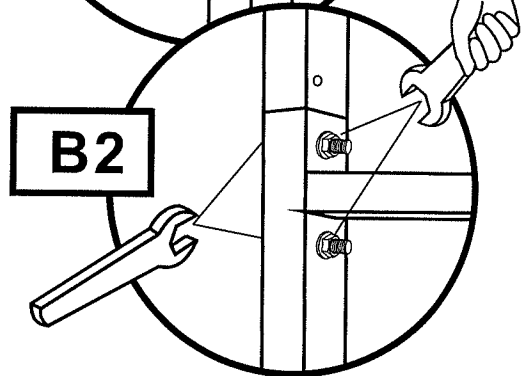
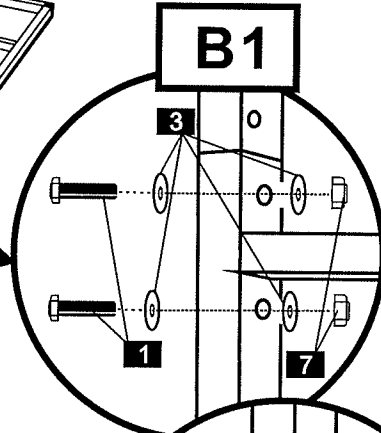
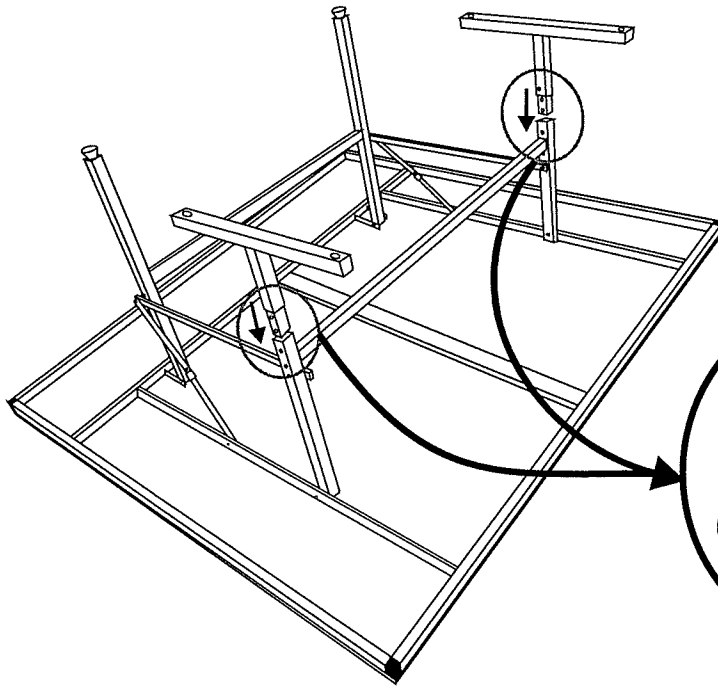


|   |   |  |   |  |   |
|---|---|--|---|--|---|
| <b>1</b> 8x<br><br>M8X50 | <b>2</b> 2x<br><br>M6X55 | <b>3</b> 16x<br><br>R=8 | <b>4</b> 4x<br><br>R=6 | <b>5</b> 8x<br><br>R=12 | <b>6</b> 8x<br><br>M12 |
| <b>7</b> 8x<br><br>M8    | <b>8</b> 2x<br><br>M6    | <b>9</b> 2x<br>         | <b>10</b> 2x<br>       | <b>11</b> 8x<br>        |   |

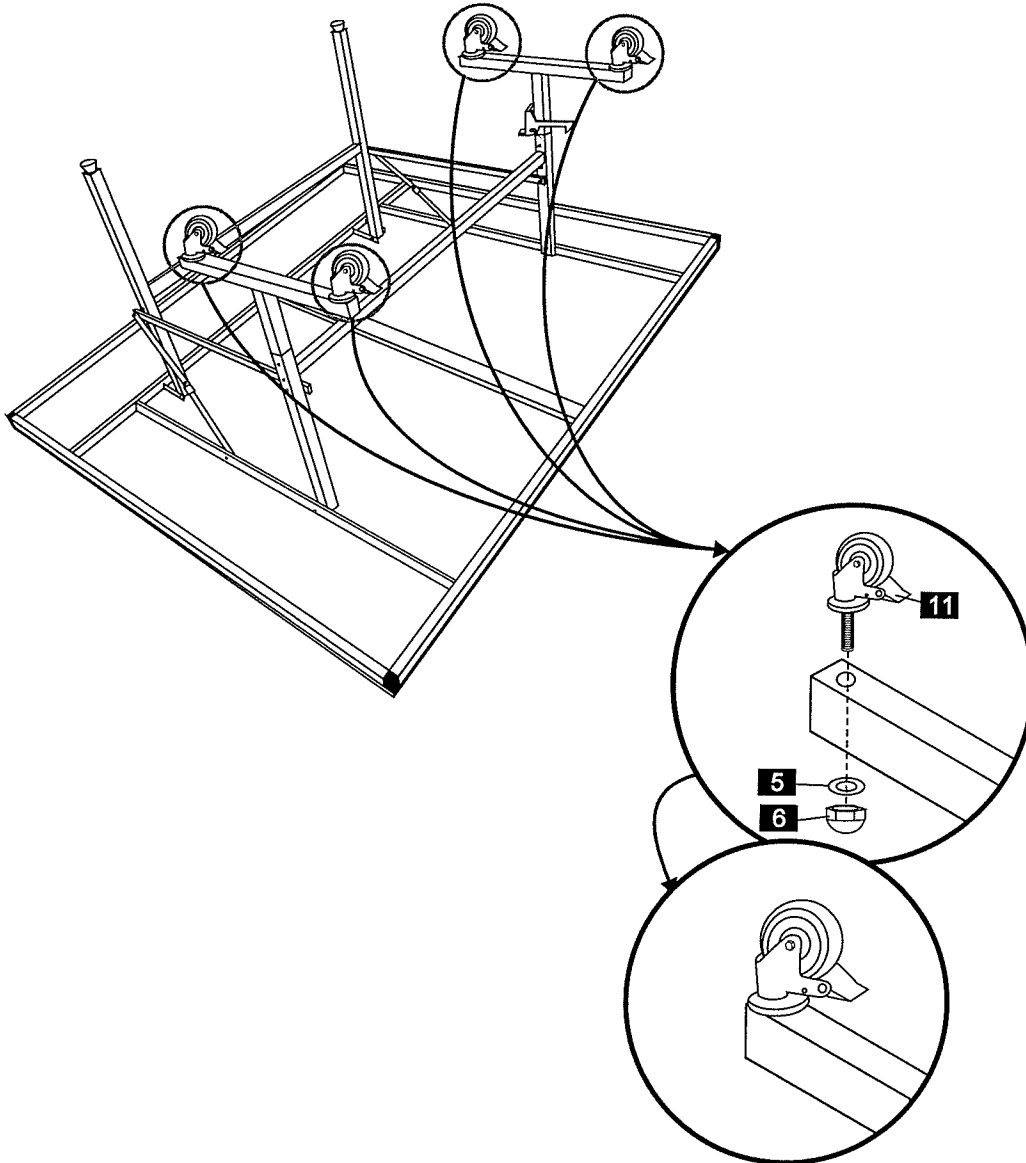
**A**



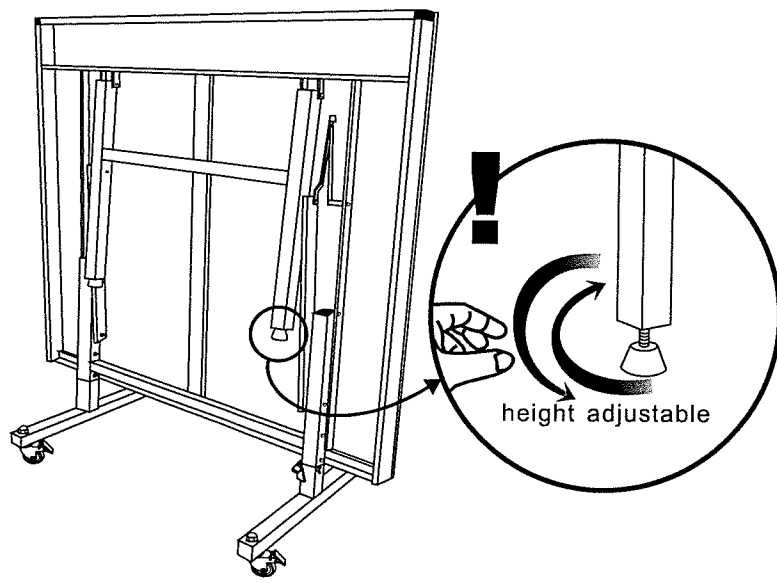
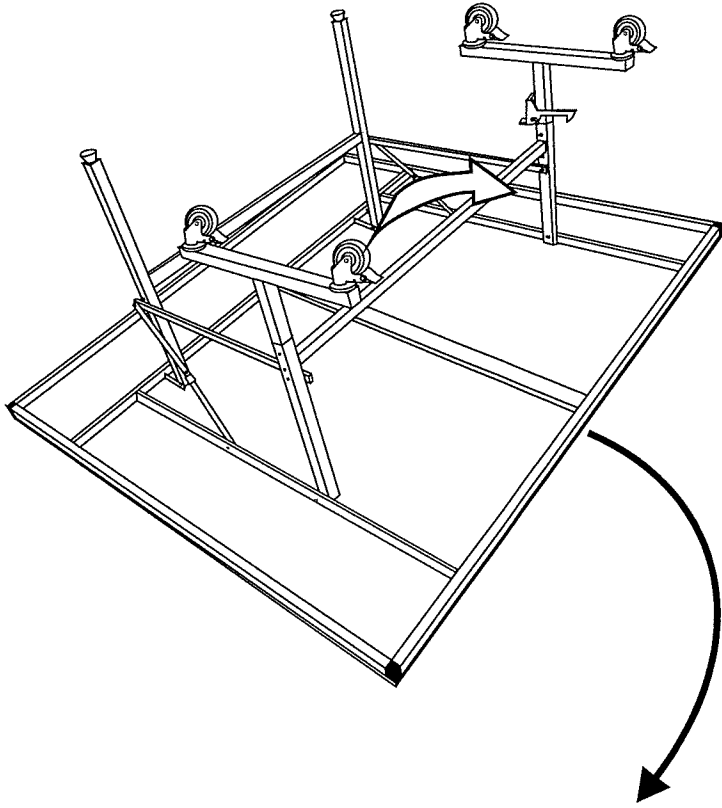
# B



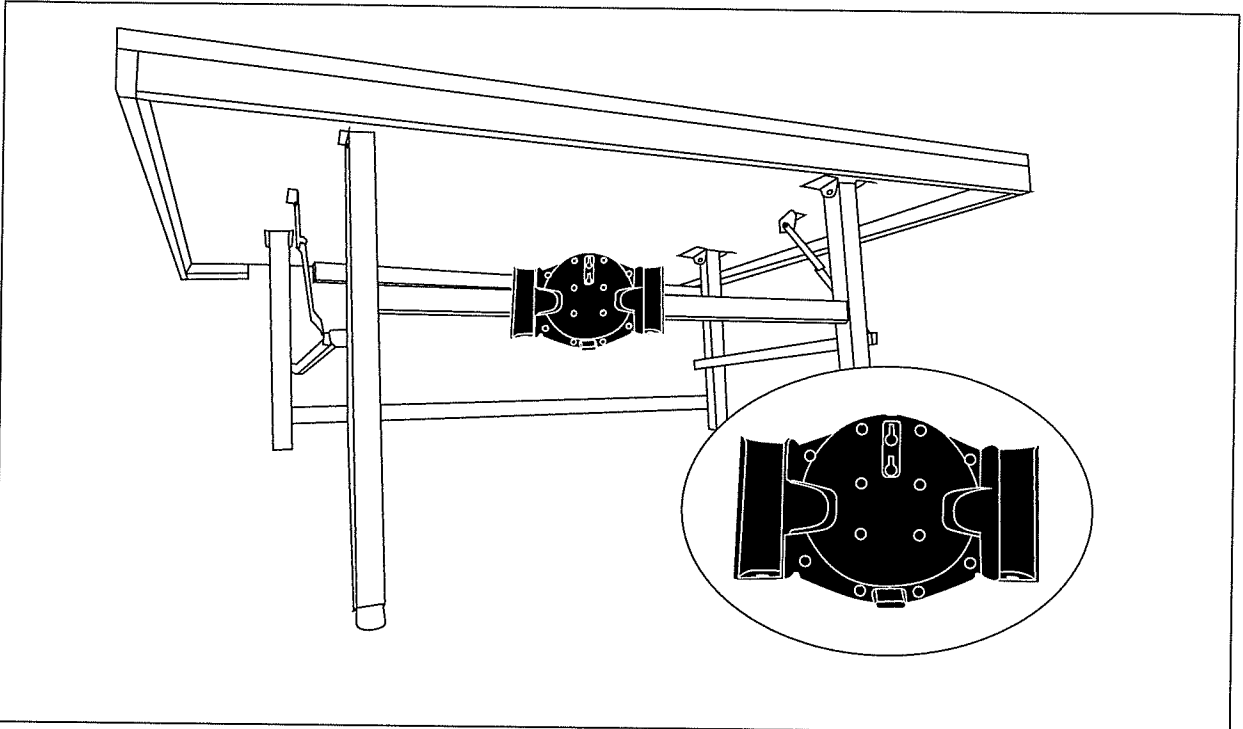
C



D



WARNING: PLS OPEN ALL THE LOCK ON THE WHEELS WHEN MOVE THE TABLES. OTHERWISE, THE WHEELS WILL BE EASY TO DAMAGE.



## ASSEMBLE INSTRUCTION

